

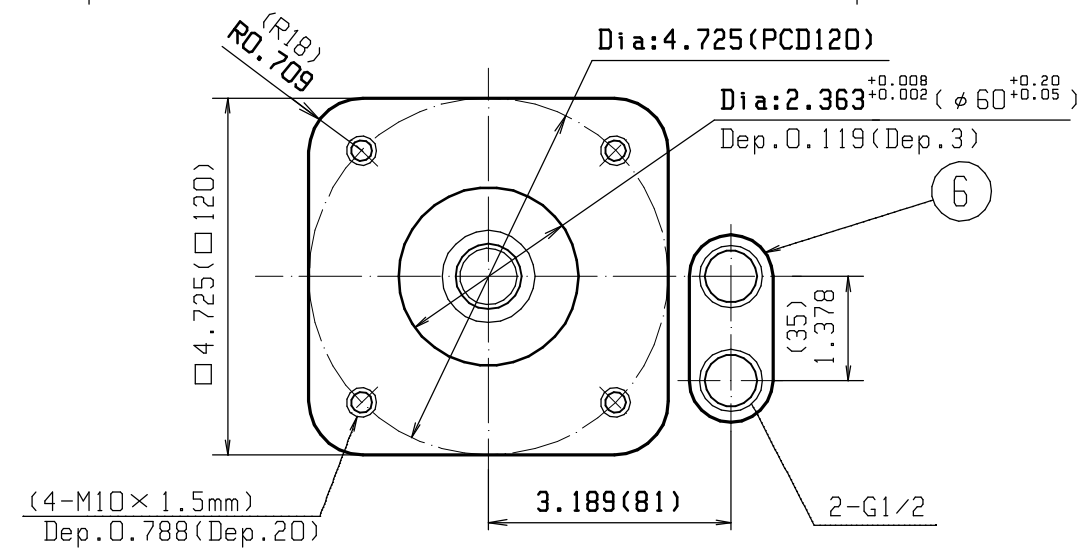
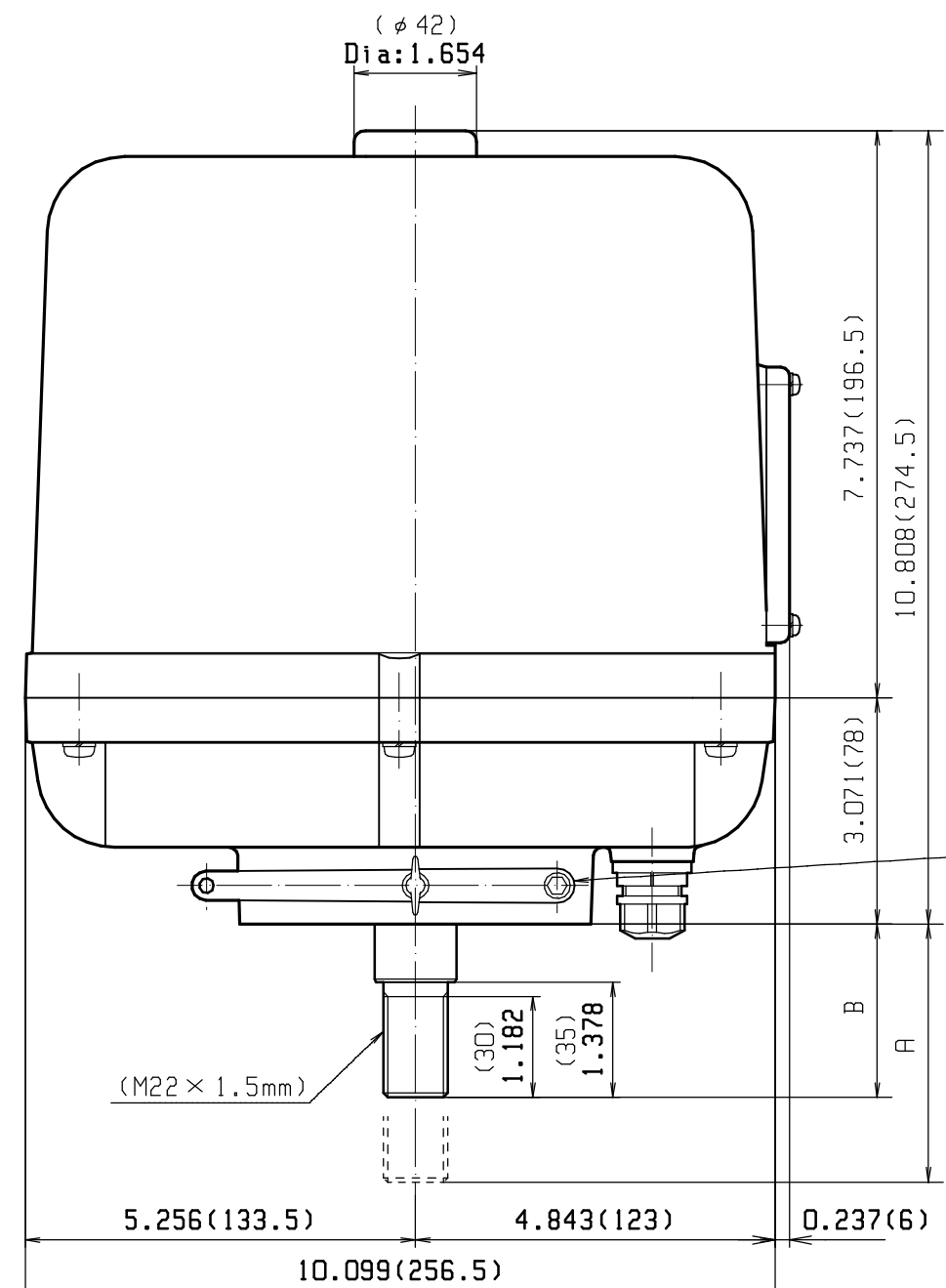
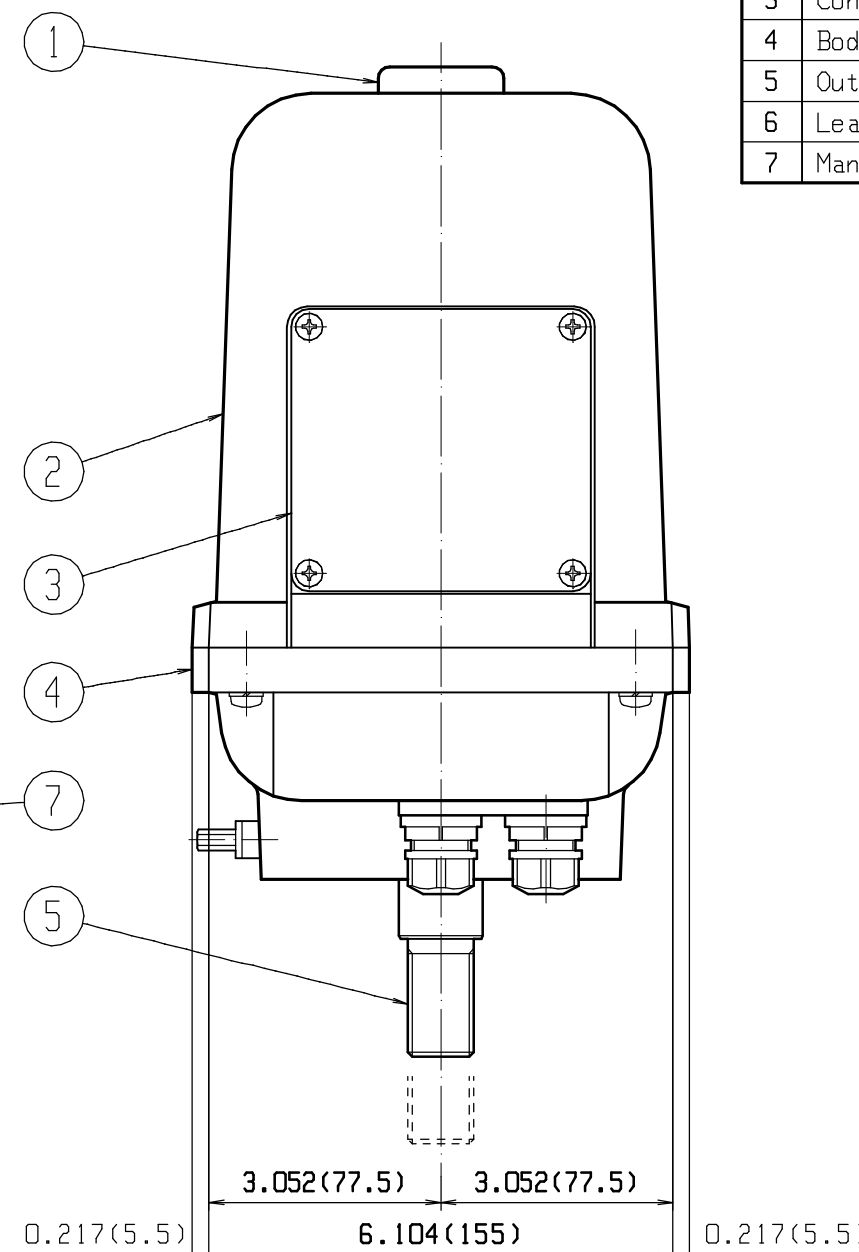
No.	NAME OF PART	Q'TY	M T L	REMARKS
1	Manual handle shaft rubber cap	1	NBR	
2	Body cover	1	ADC12	
3	Control unit cover	1	ADC12	
4	Body base	1	ADC12	
5	Output shaft	1	SUS304	
6	Lead in hole(Cordlock)	2	NYLON66	0A-W1611
7	Manual handle	1	SCS13	

DRIVING UNIT SPECIFICATION				
POWER SOURCE	AC110V	AC115V	AC120V	50/60Hz Single phase
	AC220V	AC230V	AC240V	
STROKE	#1	0~1.969inch(0~50mm)		
	#2	0~2.953inch(0~75mm)		
THRUST	2640 lbs (11768.0N)			
OPERATION SPEED	0.063inch/sec.(1.6mm/sec.) - 50Hz 0.079inch/sec.(2.0mm/sec.) - 60Hz			
ACTION MODE	DIRECT · REVERSE			
'OFF' MODE	OPEN · STOP · CLOSE			
INPUT SIGNAL	4~20mA · DC			
RESOLUTION	More than 1/250			
MANUAL OPERATION	Available			
COATING COLOR	Silver metallic			
BODY MATERIAL	Aluminium diecast			
BODY WEIGHT	17 kg			

A: Max. extension (Full close)
 B: Shrank (Full open)
 Unless otherwise instructed, the shaft stroke will be arranged as standard with bottom position at 3.741inch(95mm) for the stroke be low 1.969inch(50mm), or 4.528inch(115mm) stroke at 2.008-2.953inch(51-75mm).
 Maximum stroke : 2.953inch(75mm).

STANDARD STROKE			
	A Bottom(max)	B Top(min)	Stroke
#1	3.741[inch] 95[mm]	1.772[inch] 45[mm]	1.969[inch] 50[mm]
#2	4.528[inch] 115[mm]	1.575[inch] 40[mm]	2.953[inch] 75[mm]

CUSTOMER STROKE			
	A Bottom(max)	B Top(min)	Stroke
#1	[inch] [mm]	[inch] [mm]	[inch] [mm]
#2	[inch] [mm]	[inch] [mm]	[inch] [mm]



CERTIFICATE OF COMPLIANCE		
TYPE	CERTIFICATE NUMBER	ISSUED BY
NEMA-4,4X	161097-E177862	UL
CSA.NRTL/C	LR110832-1,2	CSA
CE	EMS 1B0704-1,2	ASSESSMENT SERVICE

DIMENSIONS ARE INCH(mm)

NAME: ACTUATOR OUTER DIMENSIONS	APRV.	DATE	SIGN
MODEL: Nucm-L100	CONF.		
	DRAW.	11, AUG, '00	K. SUGIYAMA
KOEI INDUSTRY CO., LTD.	DR. No,	2C010GE1	